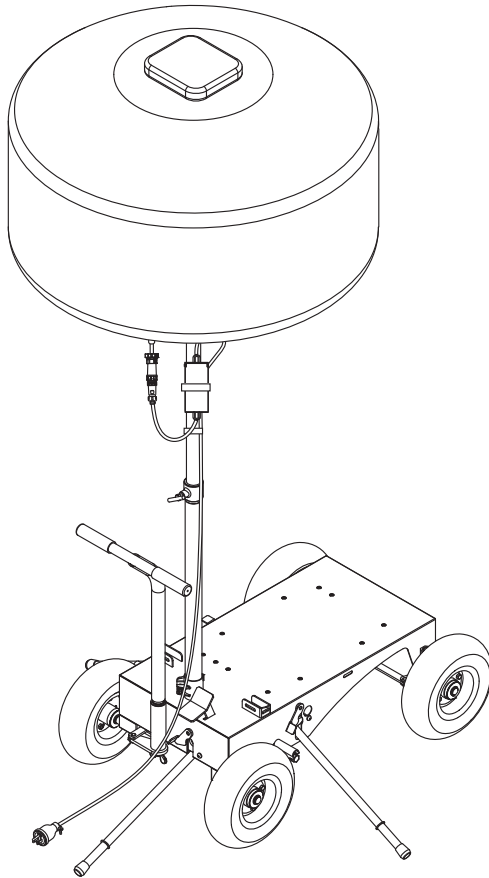


## OPERATION MANUAL

# ***LIGHT BOY***

## **MODEL B8CA-CE**



Never attempt to operate or service the equipment before reading the entire manual. Failure to read and understand the safety messages and operating instructions could result in injury to yourself and others.

For your own safety and protection from physical injury, carefully read, understand, and observe the safety instructions described in this manual.



# NOTES

---

# Thank you for purchasing LIGHT BOY B8CA-CE

- This manual contains information and procedures for the safe operation and maintenance of LIGHT BOY Products.  
Always read and understand all instructions before operating the lighting system.
- Keep a copy of this manual with the unit at all times.
- If this manual is lost or damaged, please notify the dealer from whom you purchased the product or contact LIGHT BOY for assistance.  
For general or technical questions, please contact LIGHT BOY. Please have your serial number available.
- To ensure safety and quality improvement, LIGHT BOY CO., LTD. and its affiliates reserve the right to make changes and modifications to the product without prior notice.

Instruction Manual	B8CA-CE	Code NO.	B-0000457-01
--------------------	---------	----------	--------------

# In order for you to use safely

---

- The three safety messages shown below will inform you about potential hazards that could injure you or others.

The safety messages specifically address the level of exposure to the operator and are preceded by one of three words:

DANGER, WARNING, CAUTION.

Obey all safety messages that are described in this manual to prevent the possibility of improper service, damage to the equipment, personal injury or death.

- General Safety Information



INDICATES A HAZARDOUS SITUATION WHICH, IF NOT AVOIDED, WILL RESULT IN DEATH OR SERIOUS INJURY.



Indicates a hazardous situation which, if not avoided, could result in death or serious injury.



Indicates a hazardous situation which, if not avoided, could result in minor or moderate injury.

In addition, if not avoided, could result in property or equipment damage.

# CONTENTS

---

■ Notice for Safe Use .....	4
■ Location of Warning Labels .....	12
■ Product overview .....	14
■ How to Install .....	15
■ Lights on / Dimming / Lights off .....	19
Turning Lights ON .....	19
Dimming / Silent Mode .....	20
Turning Lights OFF.....	21
■ Storage.....	22
■ How to Replace Parts .....	26
■ Optional Message Strip .....	28
■ Inspection / Maintenance / Storage .....	30
■ Wiring Diagram .....	32
■ Troubleshooting .....	33
Lighting unit .....	33
How to clean up the filter .....	41
■ Specifications .....	42
■ Disposal .....	43
■ How to Get Help .....	44

# Notice for Safe Use

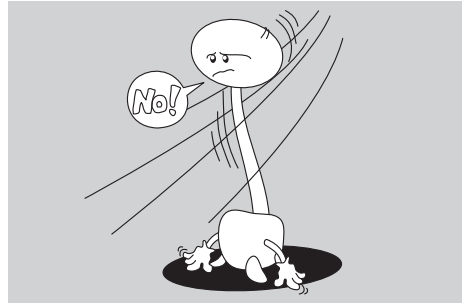
## Installation

### Never use in strong winds

#### **⚠ DANGER**

Using the lighting system in strong winds may cause injury or accidents due to falling or tipping over.

- If the balloon becomes dented by wind, lower the mast to use.
- If the balloon dents even after lowering the mast, discontinue use. There is a risk that the balloon cloth to get damaged.



### Please install on a flat surface

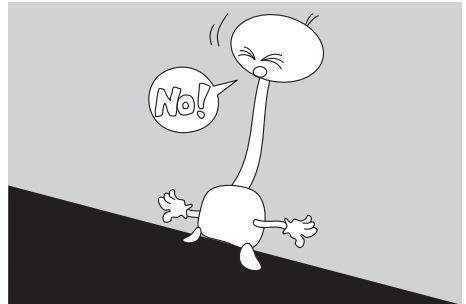
#### **⚠ DANGER**

If it is installed in an unstable place, it may fall or be damaged.

#### **⚠ CAUTION**

Please pay close attention to your feet during installation.

- Install it on a flat surface where the legs can be fully deployed to prevent it from tipping over.



◆ Always make sure the area (5m radius) around the lighting system is clear and safe.

### Use the parking brake

#### **⚠ DANGER**

Failure to apply the parking brake may result in an unexpected accident or injury.

#### **⚠ DANGER**

If the tire pressure is low, the brake may not be applied firmly or the balance may be disturbed, resulting in a fall or accident.

- Always ensure that the parking brake is applied when stopping.
- Check and adjust air pressure before use.

## Always deploy the outriggers to prevent tipping

### **⚠ DANGER**

There is a risk of tipping over in strong winds or when the generator is not mounted.

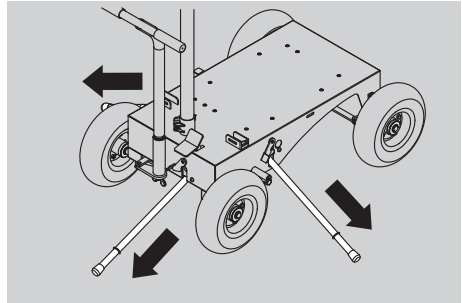
### **⚠ DANGER**

The risk of tipping varies according to the setting condition. For extra safety, use a rope and chocks to steady the lighting system.

### **⚠ DANGER**

Please pay close attention to your feet during installation.

- Always make sure to fully extend the outriggers and ensure they are locked when in use to prevent tipping over.



## Never install the lighting system near a fire

### **⚠ DANGER**

Installing the product near fire or exposing it to flames may result in a fire hazard. Please exercise caution and keep away from any potential sources of fire.

- It is important to check that there are no flammable objects or fires in the vicinity of the lighting system before installation.

## Tighten the knob properly

### **⚠ DANGER**

If the knob is loose, the lamp or mast may fall, resulting in injury or damage.

- When storing and folding the mast ALWAYS keep hands and fingers away from pinch points.

## ■ Transportation

### Place back to the stow position before transporting



Balloon light assembly may fall down or being damaged during transport.

- When transporting over smooth roads, place mast back to the stow position. Tighten the upper knob bolt to secure the balloon to the mast.

### Disassemble the unit before transporting over rough terrain



The unit may fall down from the vehicle.

- When transporting over rough terrain, remove the balloon light assembly from the mast. Place the cart on the bed of a truck. Apply parking brake and tie down securely to prevent movement.

### Beware of the height



Transporting the lighting system while the mast extended could collide with overhead obstructions.

Contact with overhead power lines or other obstructions could result in equipment damage, electrical shock, electrocution and even death.

- Before transporting by vehicle, always place the system in the stow position.

### Be careful for transporting on slope



Adjust braking force depending on movement of the unit on the slope where it can be moved by its own weight when you release the brake.

- Do not transport the unit by human power on a steep slope where the cart could move by its own weight. Use a vehicle to the installation place.

### Be careful when loading on to the truck



Loading and unloading on an unstable place may cause the fall of the unit resulting in defect and / or injury.



When brake is released, the unit moves by its own weight and may cause the fall resulting in defect and/or injury. Put on parking brake and use wheel stoppers.

- Load and unload on a flat place.
- Keep eyes on movement of the unit during transportation.



## Never put the balloon light assembly directly during transport



Placing the balloon light assembly directly on a platform of truck could lead to a damage to the balloon cloth.

- ALWAYS place the components into protective cover and carrying case during transport. Fix them firmly on the platform of truck.

## Do not make an impact to lamp



A strong impact may significantly reduce the life of the lamp or damage it.

- Please be careful when transporting, loading and unloading.

## Be careful during transporting

- Please make sure that all knobs are securely tightened.
- Please ensure there are no individuals or objects close before moving the lighting system.
- Please take care to avoid rolling over your own feet while moving the lighting system.

## ■ Balloon

### Do not touch the lamp when lamp is on



Do not touch the balloon part due to the high heat emitting. Allow it to cool down sufficiently before working on it.



ALWAYS keep the balloon away from fire, excessive amount of heats and sharp objects. Replace balloon immediately if damaged.

A damaged balloon will not inflate properly, and may become more damaged by touching the hot lamp surface.

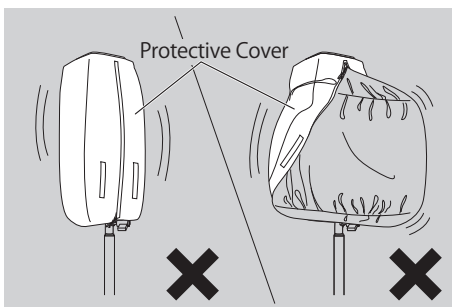
- Depending on the ambient temperature, the surface temperature of the balloon could increase to 80° (800W). Avoid touching it to prevent burns.

## Please store the protective cover before turning on the light

### ⚠CAUTION

If you turn on the light with the protective cover on, the inside of the cover will become hot, potentially leading to smoke, fire, and damage to the lighting system.

- When turning on the light, ensure the protective cover is fully open and the balloon cloth is properly inflated.
- Please ensure the protective cover is placed on top of the balloon before switching it on.

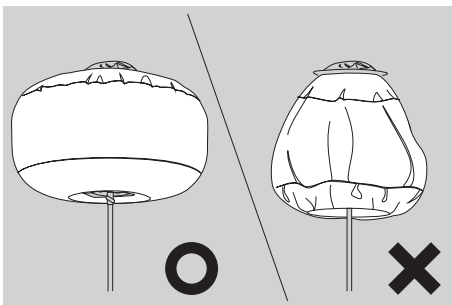


## Please ensure that the zipper is completely closed before turning on the light

### ⚠CAUTION

If the zipper is left open, the balloon cloth will not inflate properly, leading to overheating, potential smoke, fire, and damage to the lighting system.

- Please ensure that the zipper is fully closed when the light is on.
- Ensure that the balloon cloth is fully inflated during operations.



## ALWAYS place the balloon inside the protective cover after each use

### ⚠CAUTION

Balloon cloth is a consumable item.

Exposure to excess wind or rain could damage the balloon cloth.

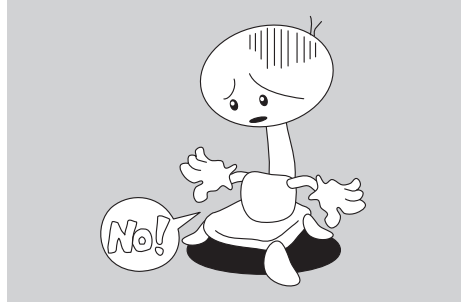
- ALWAYS place the balloon inside the protective cover after each use. Wipe off dirt and mud before storage.

## ■ Generator

### Use appropriate generators

**▲CAUTION** It may not light up due to generator matching issues.

- If an output power of the generator is not appropriate, the life of the generator will be shortened and the lamp may turn off or blink.



### Do not start or stop the generator with the power plug plugged in

**▲CAUTION** If you start or stop the engine with the power plug plugged in, the generator may be damaged.

- The status of the generator is unstable immediately after starting and stopping the engine. Do not insert the power plug of the lighting system until the generator is stabilized.

### Please observe the handling precautions of generator

- If using a generator to power lighting system, refer to applicable generator manual safety information section.

## ■ Lifting operation of mast

### Please be careful when you raising and lowering the mast

**▲DANGER**



Always make sure the area above the lighting system is open and clear of overhead power lines and other obstructions. Contact with overhead power lines or another obstructions would result in equipment damage, electrical shock, electrocution and even death.

**▲WARNING**



Be careful not get your fingers caught in the mast when raising and lowering the mast.

**▲CAUTION**

When raising the mast, please make sure that there is nothing overhead. When the mast is in contact with equipment and contact matter, it may be damaged.

- Please check the safety of surroundings before raising or lowering the mast.

## ■ Operation

### Please note electric shock and leakage



NEVER operate the lighting system or handle any electrical equipment while standing in water, while barefoot, while hands are wet or in the rain. A dangerous electrical shock could occur, causing severe bodily harm or even death.

- Make sure the outlet is IP54 rated or above.
- The lighting system is not waterproof. Do not use it in rain or snow, in a place where it may be splashed with water, or immerse it in a puddle.
- STOP using the lighting system immediately if submerged in water.
- The lighting system is equipped with a ground pin on the power plug. For your protection, ALWAYS complete the grounding path. NEVER insert the AC power plug into a 2-prong receptacle to operate lighting system. When applying power to the lighting system, ALWAYS connect the AC power plug to a 3-prong receptacle that is grounded. Failure to follow could lead to electrical shock, electrocution and even death.

### Please note the power plug and terminals



Do not touch the power plug or terminals during operation. There is a risk of electric shock.



ALWAYS stop using immediately, if the AC cable generates excessive amount of heats.

- Make sure that the power plug is free of dirt and foreign substances before inserting it firmly into the outlet.
- Unplug the power plug when not in use.

### Do not attach or detach the connector while the power is on



There is a risk of equipment damage or electric shock.

- Before attaching or detaching the connector, remove the power plug.

**Please note the ambient temperature.**

**⚠CAUTION**

If the product is used in an environment with an ambient temperature of 40°C or higher, it will begin to blink. In some cases, the light may go off.

- The lighting system should only be used in temperatures between -10° to 40° C.

**Do not apply any strong impacts**

**⚠CAUTION**

A strong impact could damage the lamp and shorten the product life significantly.

**Please check the capacity of the generator when using the lighting system with other equipment.**

- Connecting a load that exceeds the power generation capacity will cause the lamp to turn off.

## ■ Inspection, maintenance and storage

### Please inspect and maintain

#### **⚠ DANGER**

Decreased tyre pressure may result in poor braking performance.

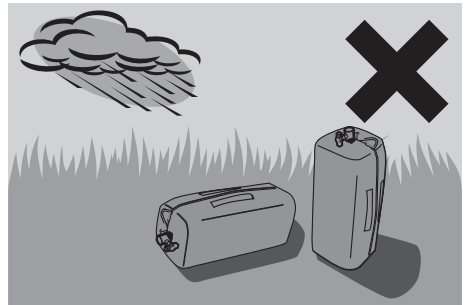
#### **⚠ CAUTION**

Use grease for the maintenance. Do not apply parts-cleaner on the mast.

- Before and after use, be sure to remove mud and dirt, and perform inspection and maintenance such as lubrication and grease up.
- Wipe dirt or foreign matter that may have accumulated during operation.
- Adjust tyre pressure. [245-294 kPa (35.5-42.6 PSI)].
- If you experience any issues or abnormalities while using the product, please cease usage immediately and conduct an inspection and maintenance.

### Storage

- Equipment should be stored in a clean, dry location out of the reach of children and unauthorized personnel.
- Balloon cloth is a consumable item. ALWAYS place the balloon inside its protective cover after each use. This will prolong the life of the balloon material, keeping it protected from harsh environmental elements.
- Wipe off dirt and mud before storage. Lubricate and grease up the metal parts.
- ALWAYS store equipment properly when it is not being used.
- Please store it indoor as much as possible.
- If it is unavoidable to store it outdoors, cover it with a tarpaulin to avoid exposure to rain and snow.
- When storing the balloon removed from the mast, do not place it directly on the ground to prevent the rain water from penetrating into it.
- Do not store outdoors with the air inlet facing up.



## ■ General Safety

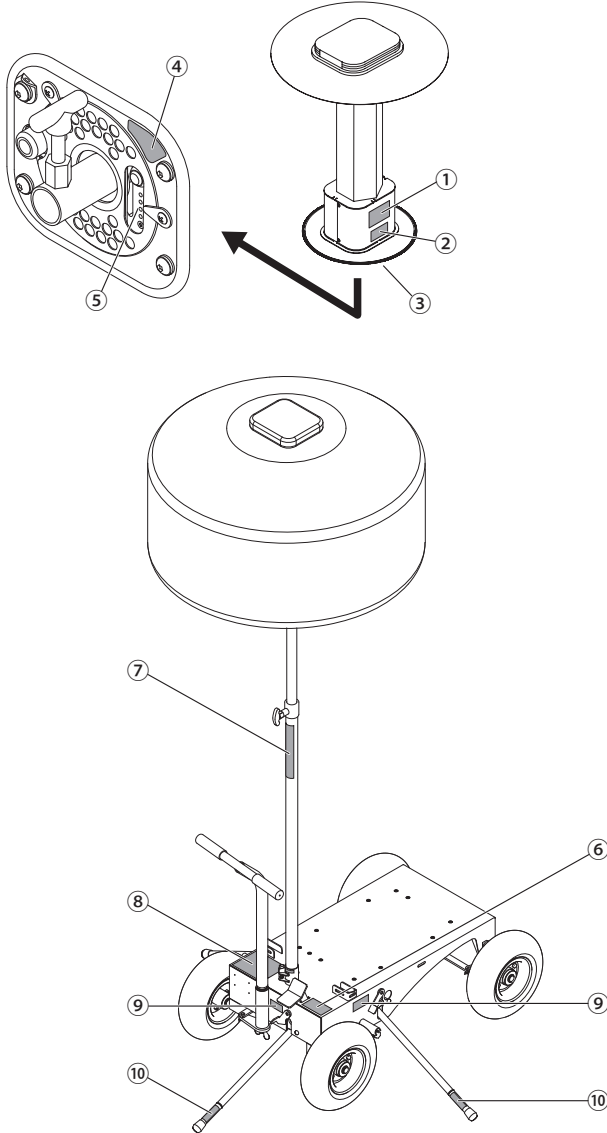
### Please take general safety

- Never operate this product under the influence of drugs or alcohol.
- Never operate this product when not feeling well due to fatigue, illness or when under medication.
- Please do not handle while wearing baggy cloth, ornaments which could possibly get caught in machine parts, or avoid wearing clothes with oil attached they can easily be flammable.
- Please dress properly for preventing injury, please wear a shoes with slipping protection.
- Please do not modify.
- Please take a look at surrounding when operating, and ensure the safety.
- If the external flexible cable or cord of this lighting system is damaged, it shall be exclusively replaced by the manufacturer or his service agent or a similar qualified person in order to avoid a hazard.

# Location of Warning Labels

## **⚠WARNING**

This lighting system is equipped with a number of safety decals. These decals are provided for operator safety and maintenance information. The illustrations below and on the next page show these decals as they appear on the machine. Should any of these decals become unreadable, replacement can be obtained from your dealer.

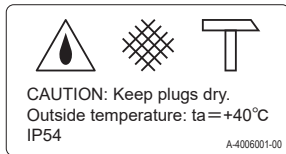




①A-4002538-00



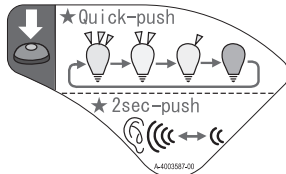
②A-4006001-00



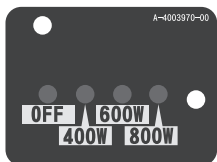
③A-4003728-00 (inside of the unit)



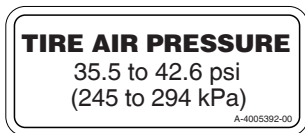
④A-4003587-00



⑤A-4003970-00



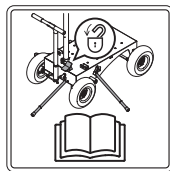
⑥A-4005392-00



⑦A-3004423-00



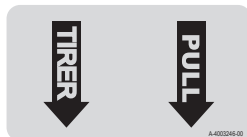
⑧A-4005385-00



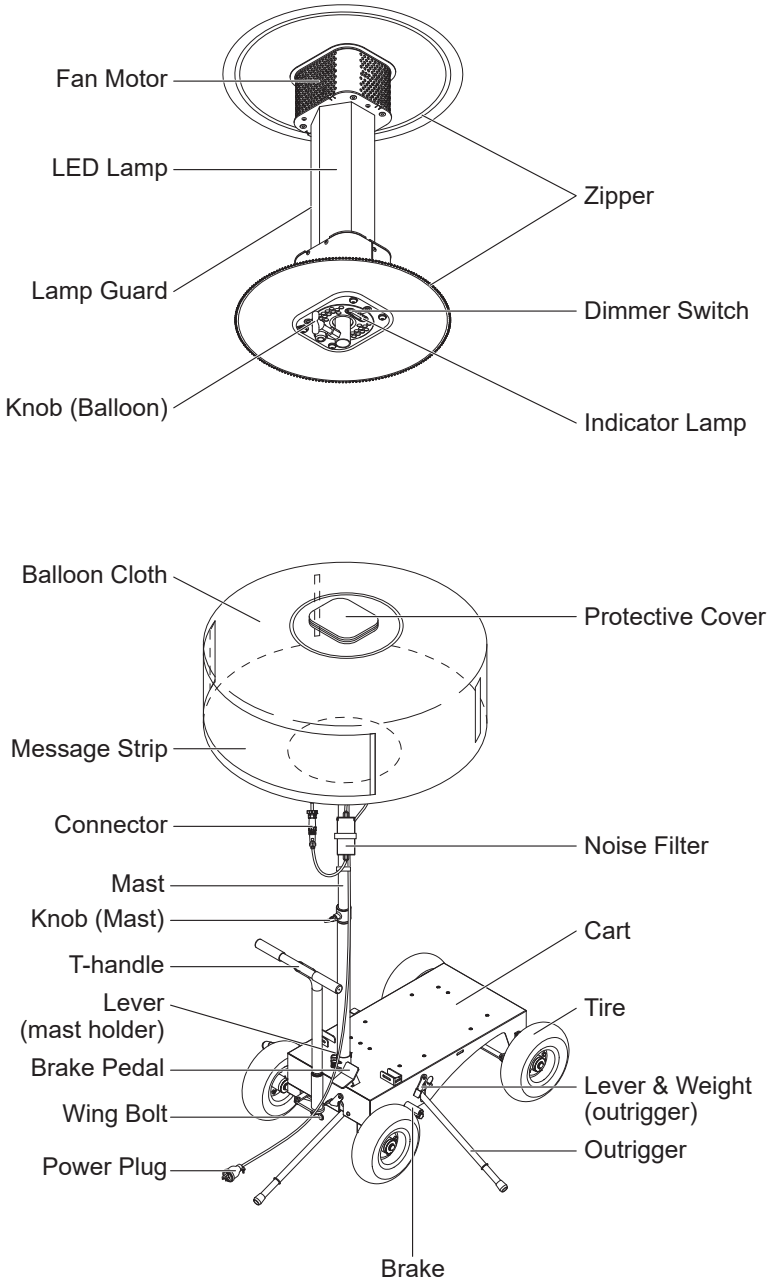
⑨A-4003245-00 (every outrigger)



⑩A-4003246-00 (every outrigger)



# Product overview



# How to Install

**⚠ DANGER**



Do not attach or detach the connector while the power is on. There is a risk of equipment damage or electric shock.

**⚠ DANGER**

Always apply the lever. Loosened lever could result in equipment damage and Serious Injury.

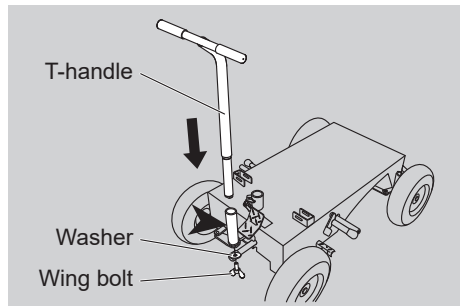
**⚠ DANGER**

Always tighten the knob securely. The balloon could possibly fall off and damage the equipment or result in injury.

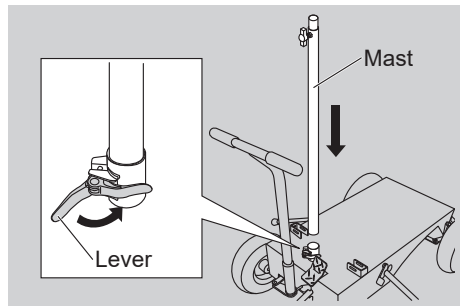
## ■ Installing the assemble cart

◆ Make sure there is enough space around the Lighting system for outriggers to be deployed.

1. Insert the T-handle into the handleholder, tighten it with wingbolt.

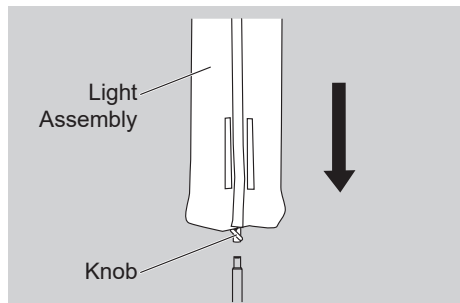


2. Insert the mast into mast holder and apply the lever.

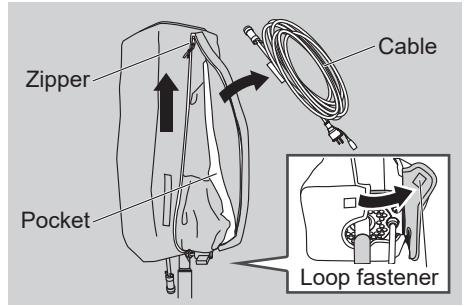


## ■ Installing the balloon

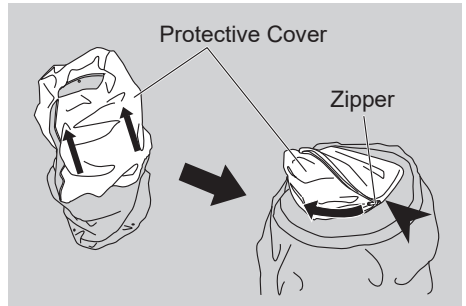
1. Place light assembly onto mast and tighten the knob securely.



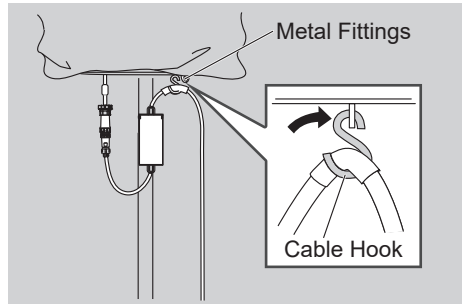
2. Open the loop fastener on the bottom of the protective cover. Expose the balloon by pulling up the zipper. Open the protective cover as shown on the right. Also remove the AC power cord at this time.



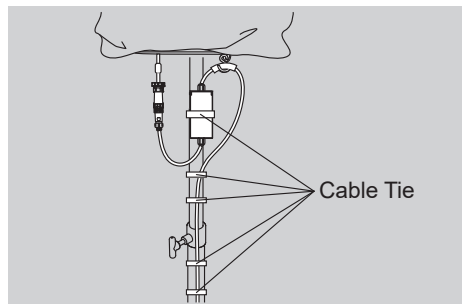
3. Fold the protective cover into itself and zip up.



4. Hook the cable hook of the AC power cable into the metal fittings located on the bottom plate of the light assembly.



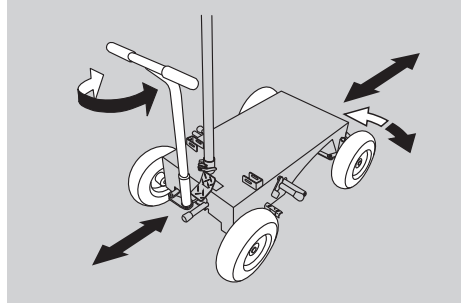
5. Bind the power cable on the mast with cable ties at five location as shown on the right.



# Operation

## ■ Using T- handle

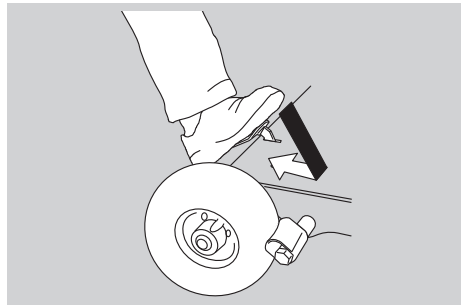
- Move the cart in either forwards or reverse direction by pulling back or pushing forwards. The T-handle also allows the cart to be steered left or right.



## ■ Parking brake operation

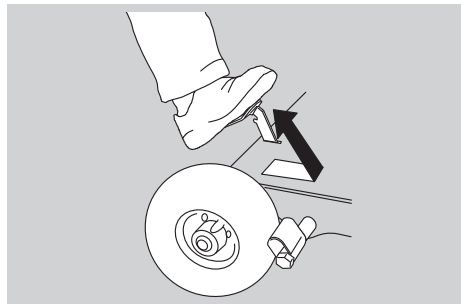
### Applying the parking brake

- To apply parking brake, step on the brake pedal and slide backward. This will lock the rear wheels. For additional safety use chock blocks to prevent rolling.



### Releasing the parking brake

- Kick down the brake pedal and hold, then release. This action will dis-engage the brake.



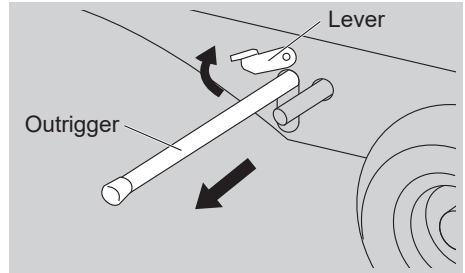
## Deploying the outriggers

**⚠ DANGER**

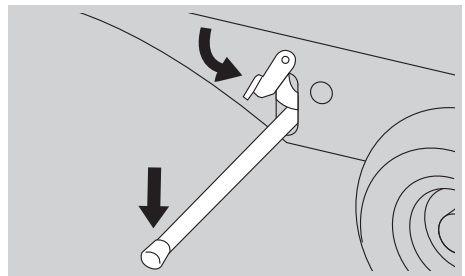
NEVER use without deploying the outrigger. The possibility exists of tipping.

### Setting

1. Pull upwards the lever. Hold an outrigger, pull outwards until it stops.

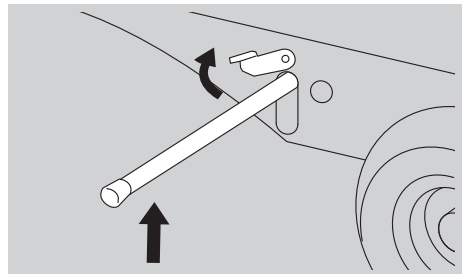


2. Pull an outrigger downwards until it touches the ground. Pull downwards the lever.

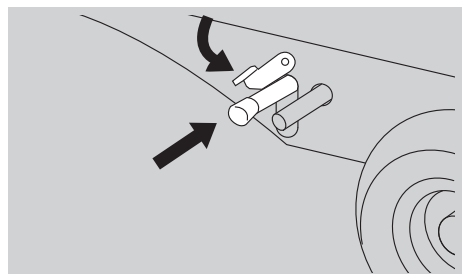


### Releasing

1. Pull upwards the lever. Hold an outrigger, pull upwards.



2. Push inwards the outrigger until it stops. Pull downwards the lever.



## ■ Raising the mast

### ⚠ DANGER



Always make sure the area above the lighting system is open and clear of overhead power lines and other obstructions. Contact with overhead power lines or another obstructions would result in equipment damage, electrical shock, electrocution and even death.

### ⚠ WARNING



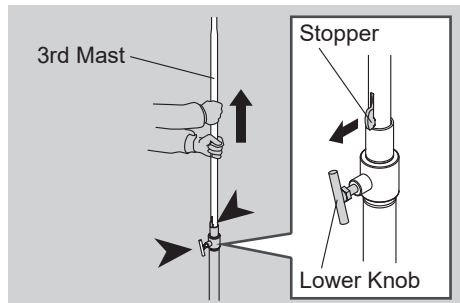
Be careful not get your fingers caught in the mast when raising and lowering the mast.

### ⚠ CAUTION

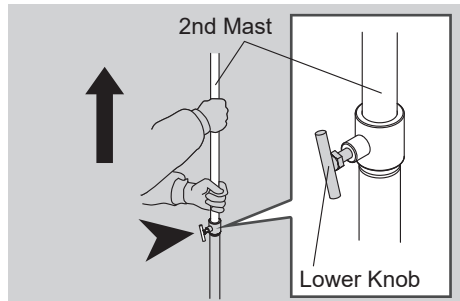
When raising the mast, please make sure that there is nothing overhead. When the mast is in contact with equipment and contact matter, it may be damaged.

◆Please check the safety of surroundings before raising or lowering the mast.

1. Tighten the lower knob securely and raise the 3rd mast until the stopper pops out.



2. Loosen the lower knob and raise 2nd mast to desired height. Once desired height has been achieved tighten the lower knob.



# Lights on / Dimming / Lights off

## **⚠WARNING**



Do not touch the balloon part due to the high heat emitting. Allow it to cool down sufficiently before working on it.

## **⚠CAUTION**

Starting and stopping the generator with the AC switch in the ON position may cause the generator to malfunction. If the generator does not have an AC switch, start / stop the generator with the plug unplugged.

## ■ Turning Lights ON

### Powering from Generator

- ◆Make sure oil, fuel and battery liquid are filled.
- ◆Make sure the main switch of the generator is OFF.
- ◆Make sure the generator is properly grounded with a ground bar etc.
- ◆If there are any electrical appliances connected to the generator, please ensure that there is enough electrical capacity available for the lighting system.
- ◆Allow the generator to warm up for approx. 3 minutes.

1. Start the generator. (Please check the instruction manual of your generator for the starting procedure.)
2. Once the generator has stabilized, plug the power plug into the outlet.
3. The AC switch of the generator is ON.

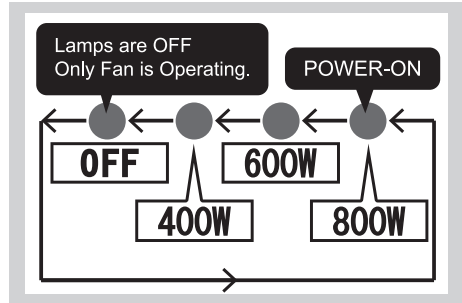
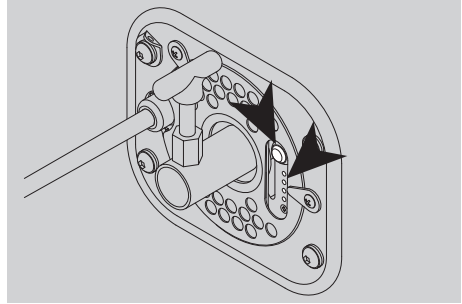
### Powering from commercial power supply

- Simply insert the power plug into the commercial power supply.



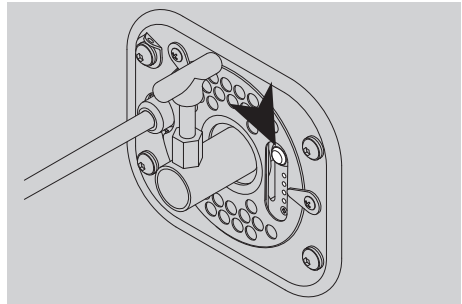
## ■ Dimming

- The lighting system starts at 800W. Press the dimmer switch to control the brightness of the light. The light can be turned off or set to 400W, 600W or 800W. The corresponding LED indicators will light in red when selected.



## ■ Silent Mode

- The noise coming from the unit during operation can be eliminated. Press and hold the dimmer switch for 3 seconds.
- The silent mode works in only 400W. The dimming control is only available in order of [OFF] ↔ [400W].
- To switch back to normal mode, press and hold the dimmer switch for 3 seconds. The blue LED will stop flashing.



- ◆Blue LED on the center of the switch lights in the normal mode.
- ◆Blue LED on the center of the switch flashes in the silent mode.
- ◆When unit restarts, it reverts to the normal mode even if the silent mode was selected prior to shutdown.

## ■ Turning Lights OFF

### Powering from Generator

1. Turn off the AC switch of the generator.
2. Stop the generator.
3. Make sure the AC switch of the generator is off and unplug from the Power Supply.

### Powering from commercial power supply

- The light turns off when the power plug is unplugged from the commercial power supply.

# Storage

## ⚠ WARNING



Do not touch the balloon part due to the high heat emitting. Allow it to cool down sufficiently before working on it.

## ⚠ WARNING

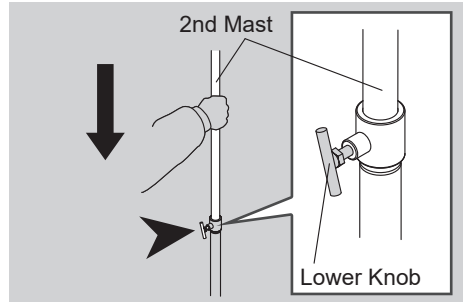


Be careful not get your fingers caught in the mast when raising and lowering the mast.

## ■ Stowing the balloon

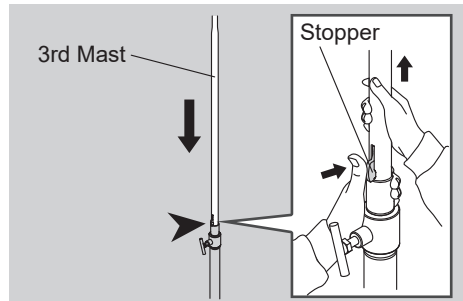
1. Unbind the cable ties and loosen the lower knob. Push down on the 2nd mast until mast is fully inserted into the 1st mast. Tighten the knob fully again.

◆The mast is designed to drop gradually.

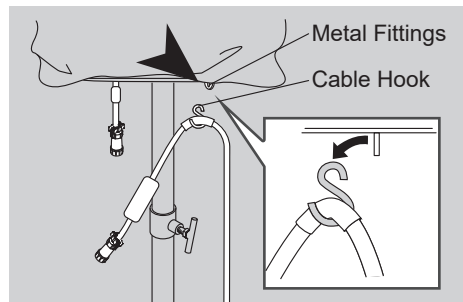


2. Push the stopper on the 3rd mast while holding the mast as shown on the right.

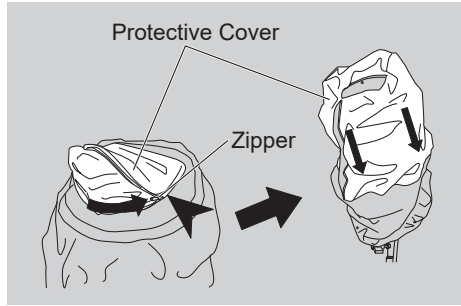
◆The mast is designed to drop gradually.



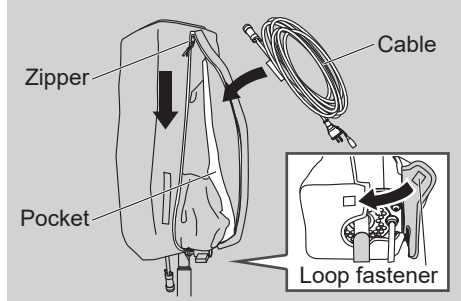
3. Disconnect the connector. Remove the cable hook of the AC power cable from the metal fittings located on the bottom plate of the light assembly.



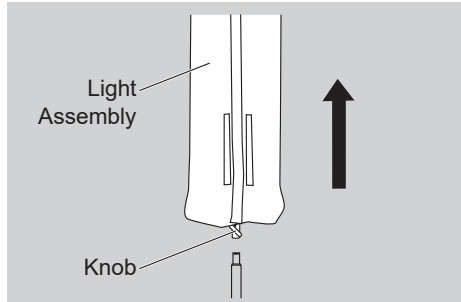
4. Unzip the zipper of the protective cover and roll down it over the balloon cloth.



5. Store the power cable inside the pocket of the protective cover. Zip up the protective cover. Close the loop fastener at the bottom of the protective cover.



6. Loosen the upper knob and lift the light assembly from the mast.



## ■ Stowing the assemble cart

Stow assemble cart in the reverse order of installation.

# How to Replace Parts

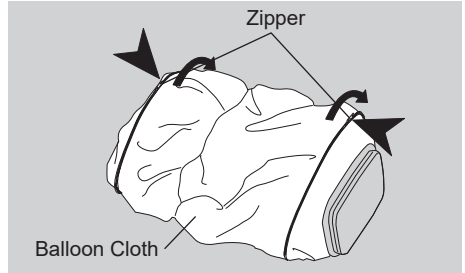
## ⚠ WARNING



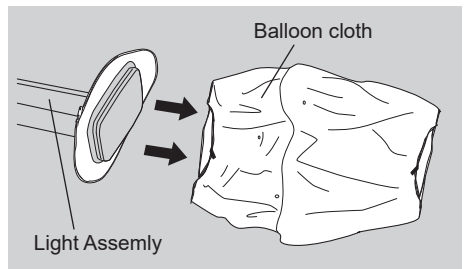
Do not touch the balloon part due to the high heat emitting. Allow it to cool down sufficiently before working on it.

## ■ Replacing balloon cloth

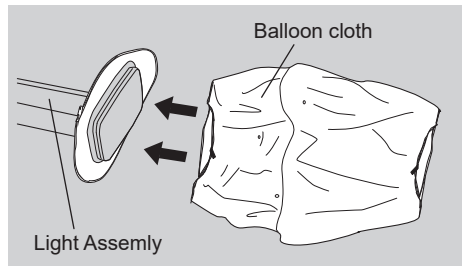
1. Unzip the zippers at the top and bottom of the balloon cloth.



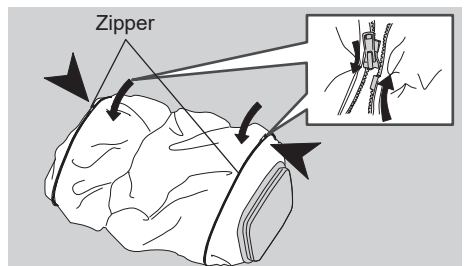
2. Slide the old or worn balloon cloth over the top of the light assembly.



3. Slide the new balloon cloth over the top of the light assembly.

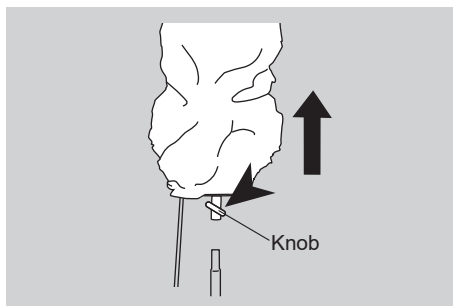


4. Zip up the zippers at the top and bottom of the balloon cloth.

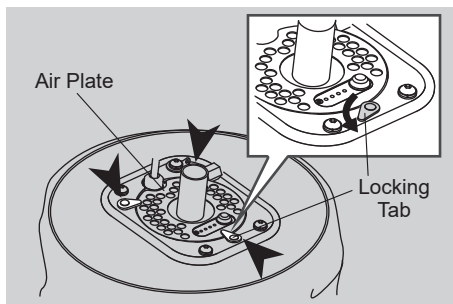


## ■ Replacing filter

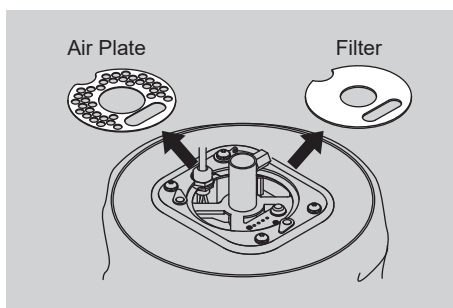
1. Remove the balloon as described on the right.  
Turn the light assembly upside down to access the filter.



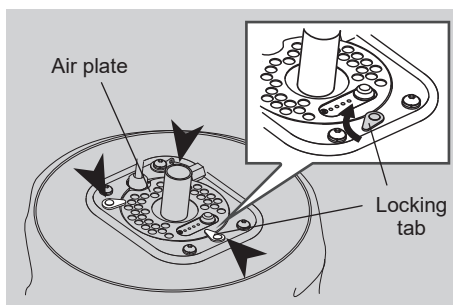
2. Turn the three locking tabs outwards to release the air plate.



3. Remove the air plate and filter.



4. Install a new filter and reinstall an air plate.  
Turn three locking tabs inwards to lock the air plate in place.



# Optional Message Strip

**⚠CAUTION**

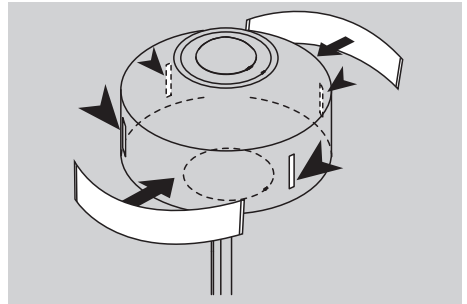
Always place the messages strips firmly to avoid being blown away by strong winds.

- Prepare the optional message strip.



- Attach the message strips to the velcro.

◆ Message strips fit on both sides of the balloon.



# Inspection/Maintenance/Storage

## ⚠WARNING



Never attempt to service or perform maintenance when the power is ON. The possibility exists of short circuit. Please pull out the power plug from the power source.

## ⚠WARNING



Do not touch the balloon part due to the high heat emitting. Allow it to cool down sufficiently before working on it.

## ⚠CAUTION

Use grease for the maintenance. Do not apply parts-cleaner on the mast.

## ■ Inspection/Maintenance

- For a prolonged life cycle and extended quality follow the recommended guidelines.
  - ...Daily Check
  - ...Every 20hrs
  - ...Every 100hrs
  - ...Every 500hrs

- ◆ Hours are just an estimation. Please inspect every time before using the lighting systems.
- ◆ Please read and follow the supplied generator manual for the generator.

## ■ General inspection

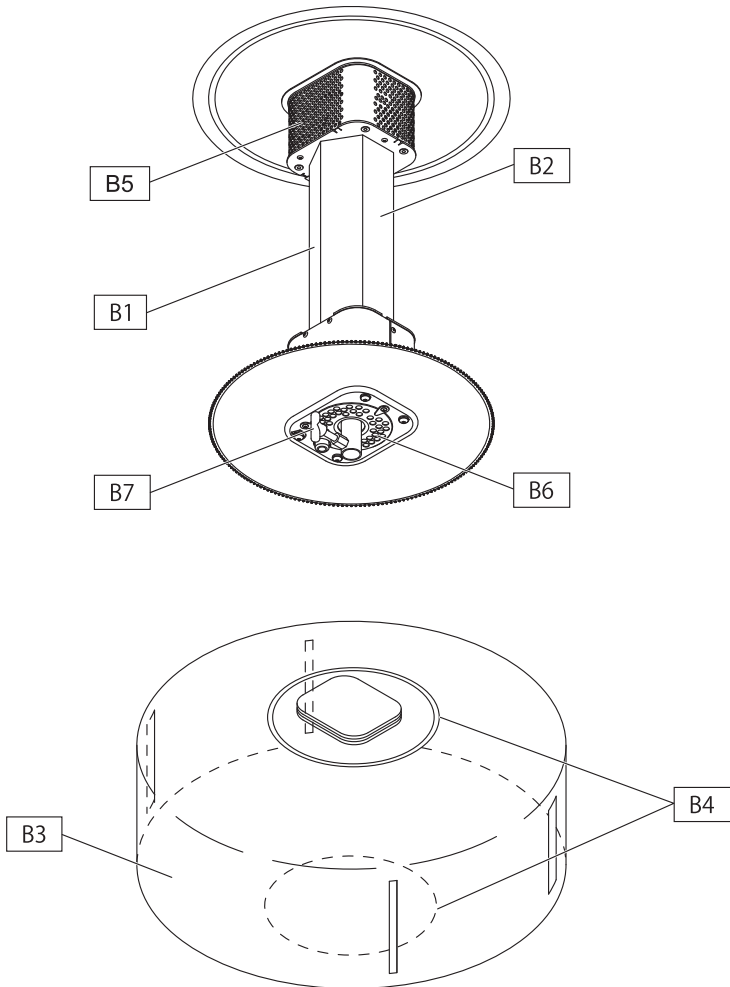
- The lighting system should be cleaned and inspected for deficiencies. Check for loose, missing or damaged nuts, bolts or other fasteners.

## ■ How to store

- Equipment should be stored in a clean, dry location out of the reach of children and unauthorized personnel.
- Balloon cloth is a consumable item. ALWAYS place the balloon inside its protective cover after each use. This will prolong the life of the balloon material, keeping it protected from harsh environmental elements.
- Wipe off dirt and mud before storage. Lubricate and grease up the metal parts.
- ALWAYS store equipment properly when it is not being used.
- Please store it indoor as much as possible.
- If it is unavoidable to store it outdoors, cover it with a tarpaulin to avoid exposure to rain and snow.
- When storing the balloon removed from the mast, do not place it directly on the ground to prevent the rain water from penetrating into it.
- Do not store outdoors with the air inlet facing up.

## ■ Lamp part maintenance

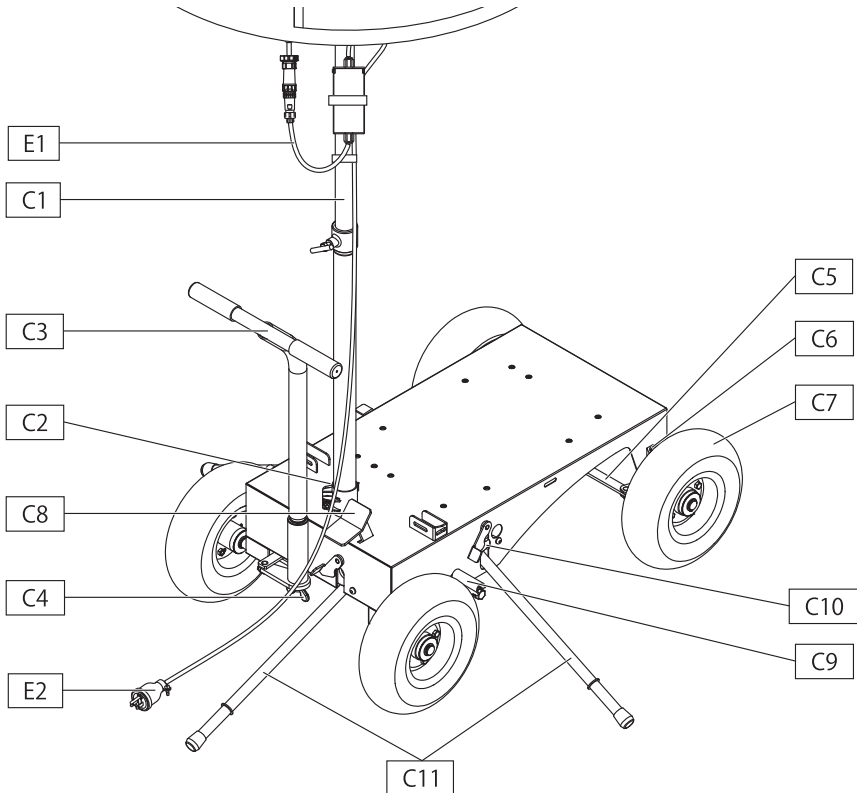
Fig	Parts	Things to be checked	Solution		
Balloon (B)	1	Lamp guard	Dirty, rusty or damaged?	Clean / Replace	○
	2	LED unit	Defective LED or broken?	Replace	■
	3	Balloon (Envelope)	Dirty, or ripped?	Replace	■
	4	Zipper	Broken?	Replace	■
	5	Fan motor	Does not working properly?	Replace	●
	6	Filter	Dirty?	Clean	●
	7	Knob	Broken?	Replace	■



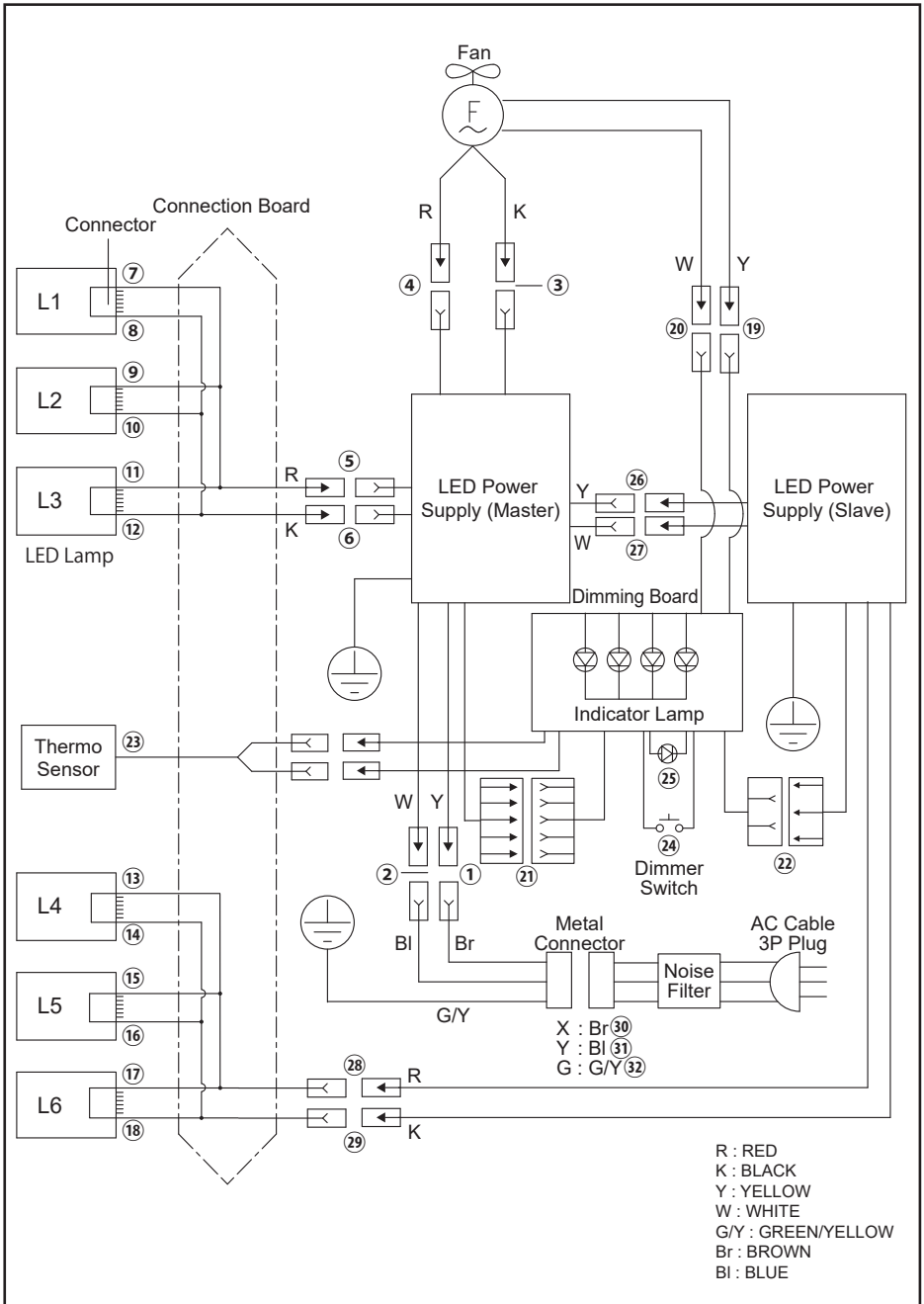


## ■ Cart part / Electrical part maintenance

Fig	Parts	Things to be checked	Solution		
Cart (C)	1	Mast	Damaged or not working properly?	Replace	<input type="checkbox"/>
	2	Lever (Mast holder)	Check if lever is not loose	Tighten securely	■
	3	T-handle and wheels	Proper movement	Tighten securely	●
	4	Wing bolt for handle	Check if bolt is not loose	Tighten securely	●
	5	Link for front shaft	Linkage working correctly	Spray grease	●
	6	Front wheel pivot	Turns smoothly?	Check, spray grease	●
	7	Tires	Tire pressure 245-294kPa?	Adjust	■
			Damaged?	Replace	■
	8	Brake pedal	Linkage working correctly	Check, spray grease	■
			Notch worn-out?	Replace	■
	9	Brake	Working properly?	Adjust	■
10	Weight (Outrigger)	Moves smoothly?	Spray grease	■	
11	Outrigger	Deploys smoothly?	Spray grease	●	
Electrical (E)	1	Power cable	Defective or worn cable?	Replace	■
	2	Plug	Damaged?	Replace	<input type="checkbox"/>



# Wiring Diagram



# Troubleshooting

## ■ Lighting unit

### Precheck

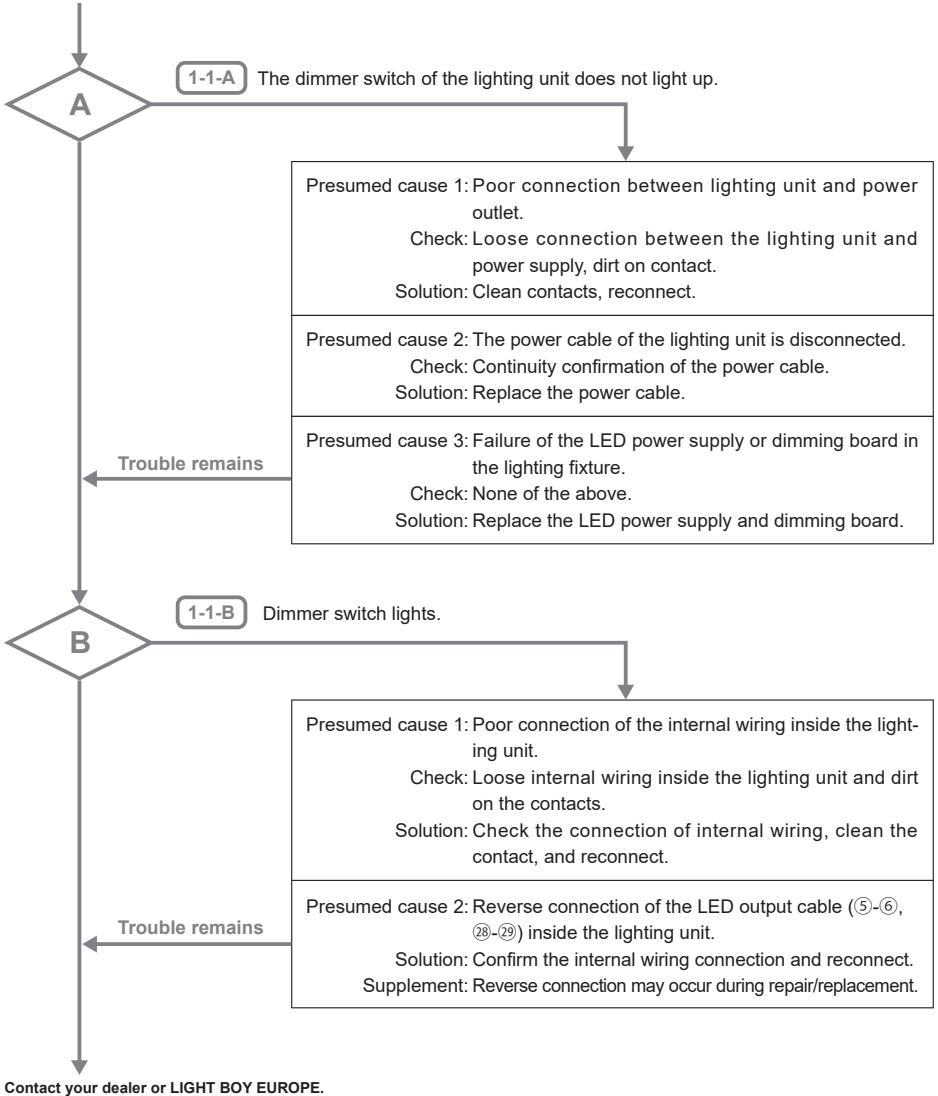
- The specified voltage (AC230V) is coming out from the power outlet.
- The cable is connected properly.

### Attention of the operation

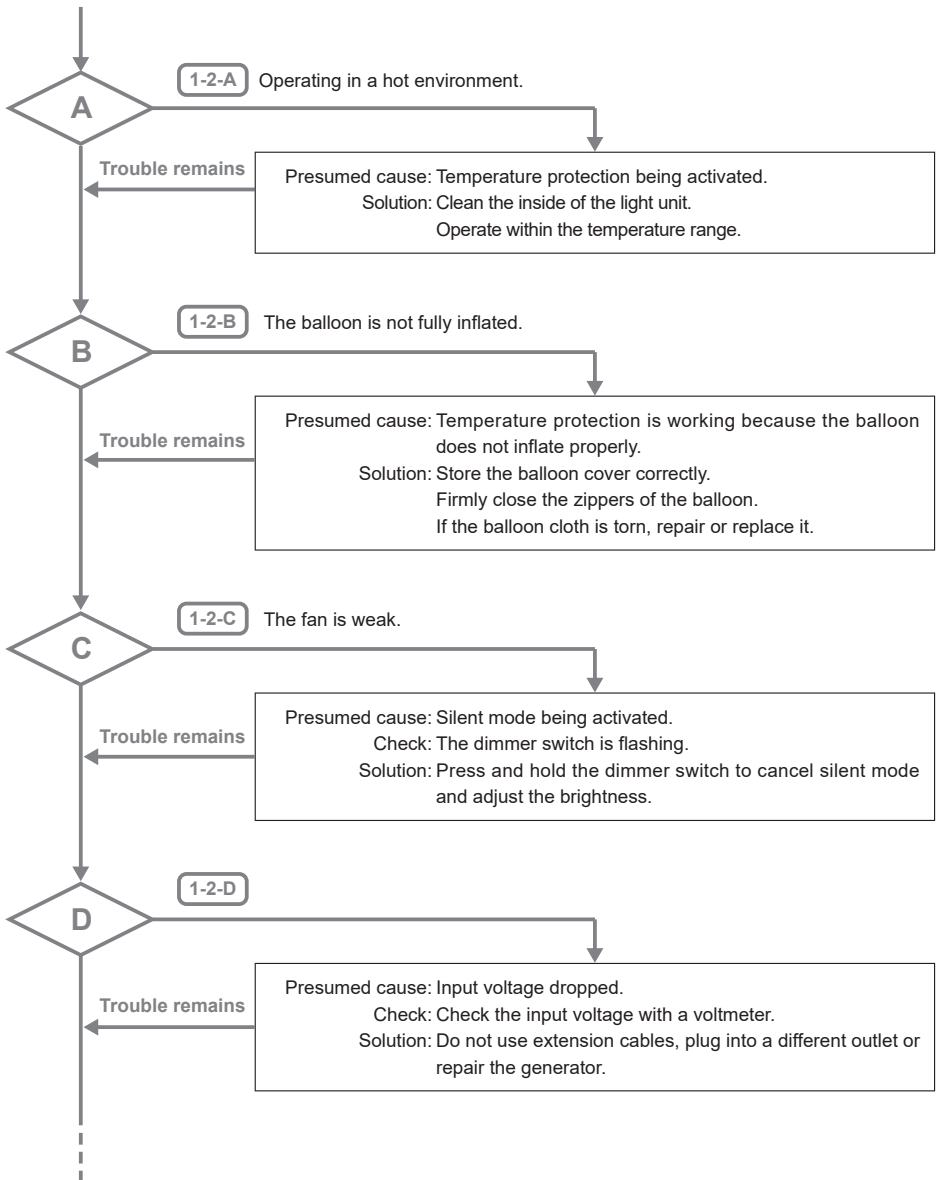
- Before performing any wiring operation, it is necessary to wait for at least one minute after turning off the power.
- Be careful not to get an electric shock.
- Do not work unless you have sufficient knowledge of electricity.

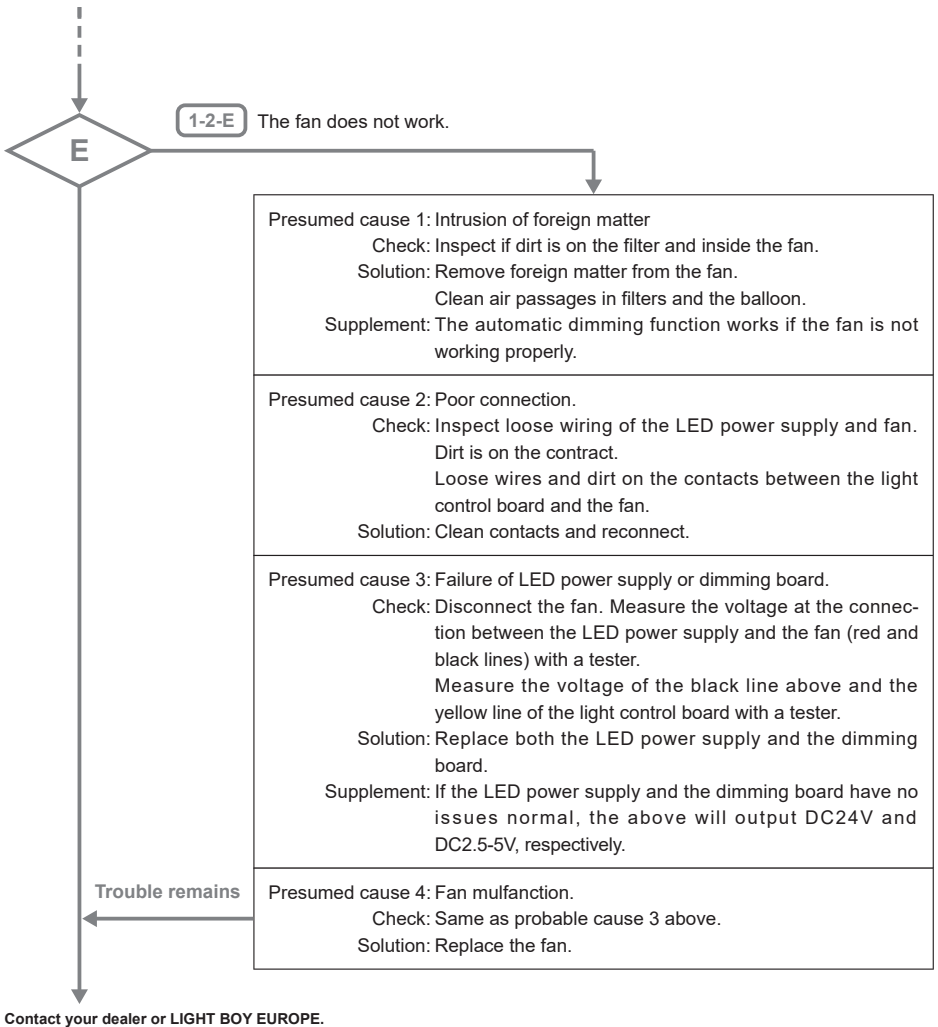
- 1-1. The lighting unit does not light up.
- 1-2. The light automatically dims / turns off.
- 1-3. Dimming does not work.(half / whole)
- 1-4. It lights up but is not so bright.
- 1-5. Some LEDs do not light up.
- 1-6. The balloon is not fully inflated.

# 1-1.The lighting unit does not light up.

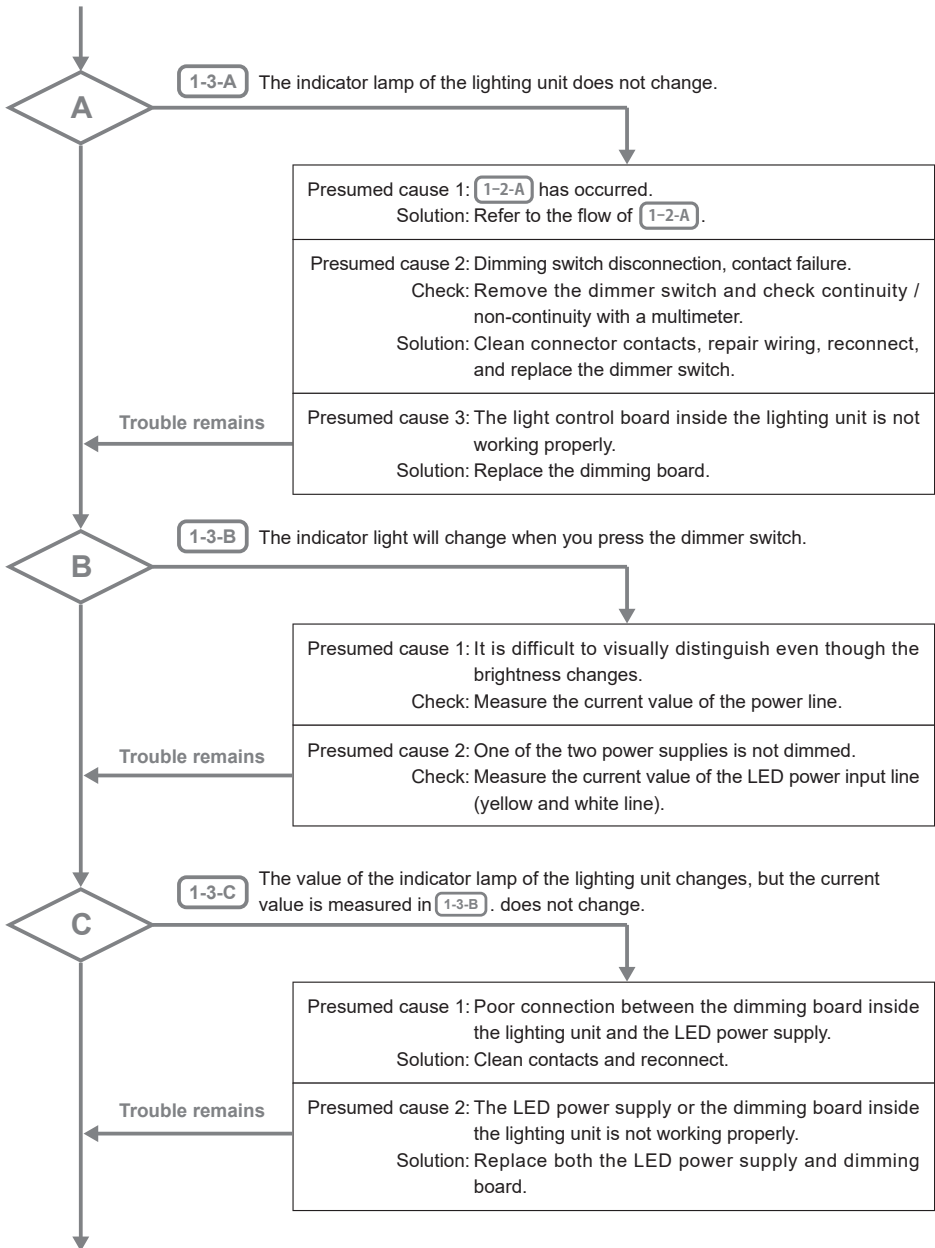


## 1-2. The light automatically dims / turns off.



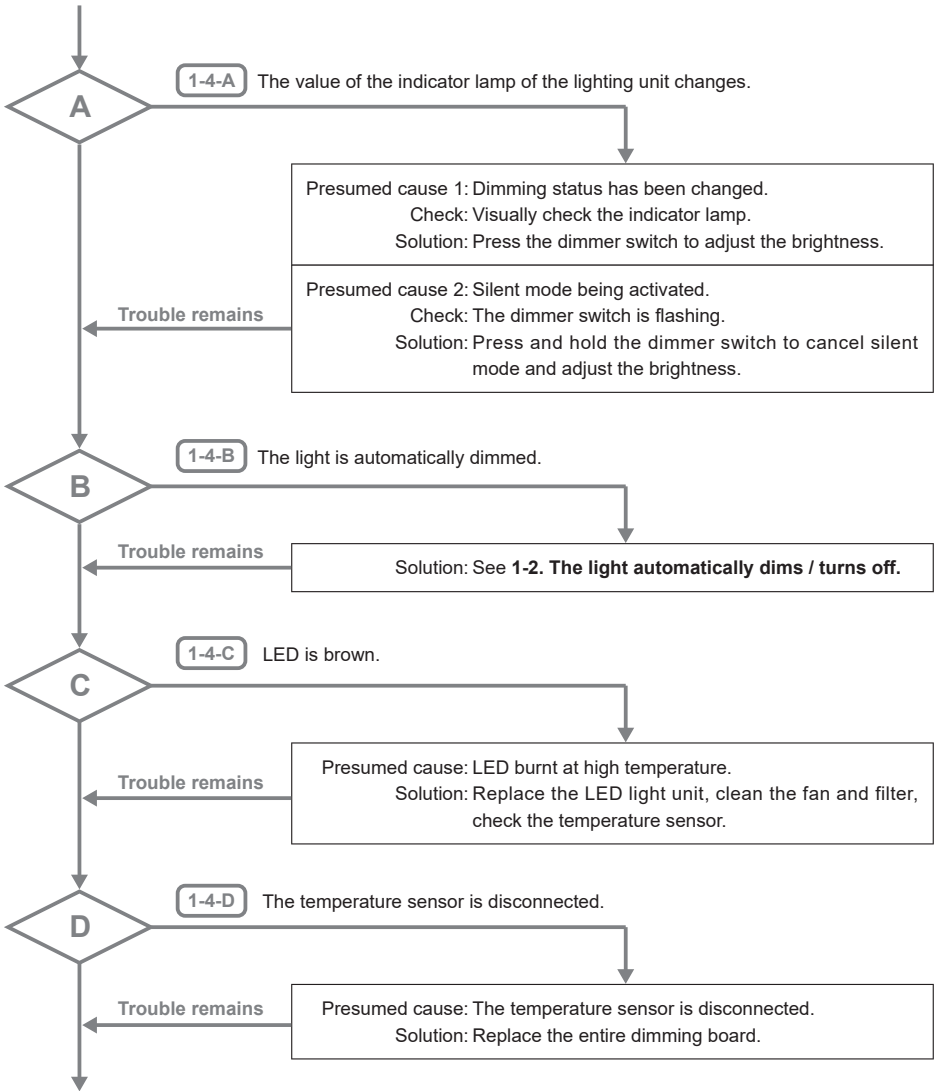


### 1-3. Dimming does not work.(half / whole)



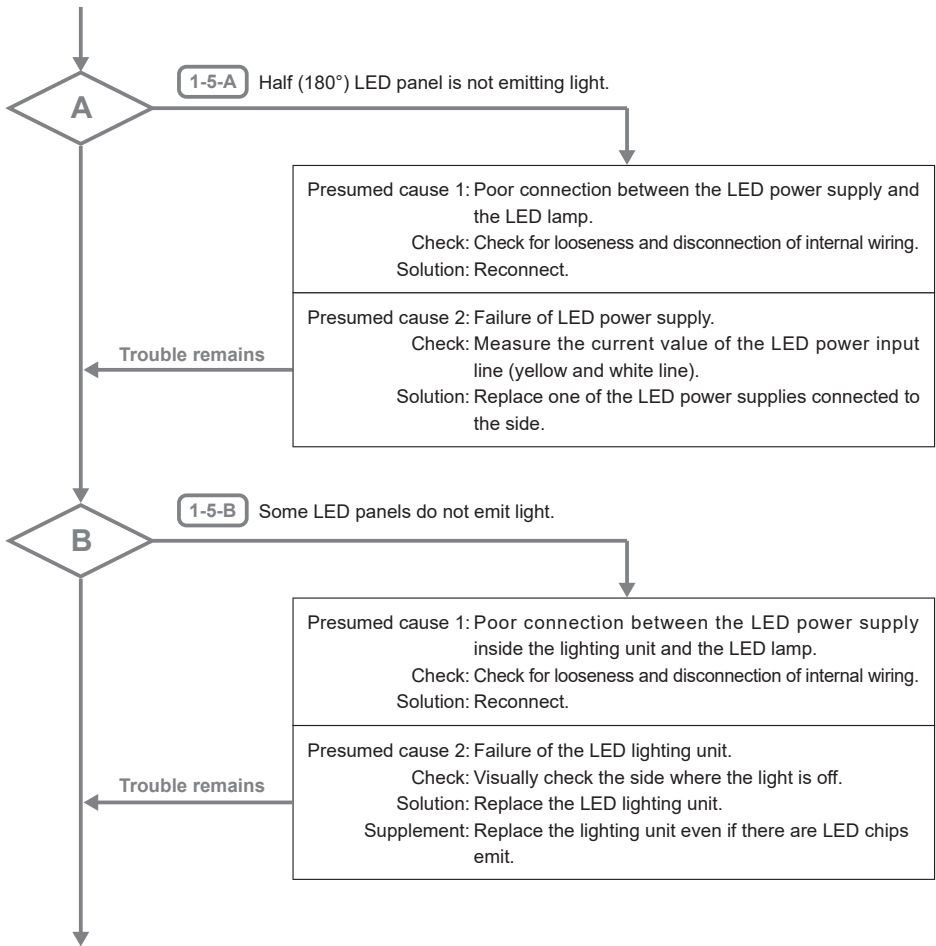
Contact your dealer or LIGHT BOY EUROPE.

# 1-4.It lights up but is not so bright.



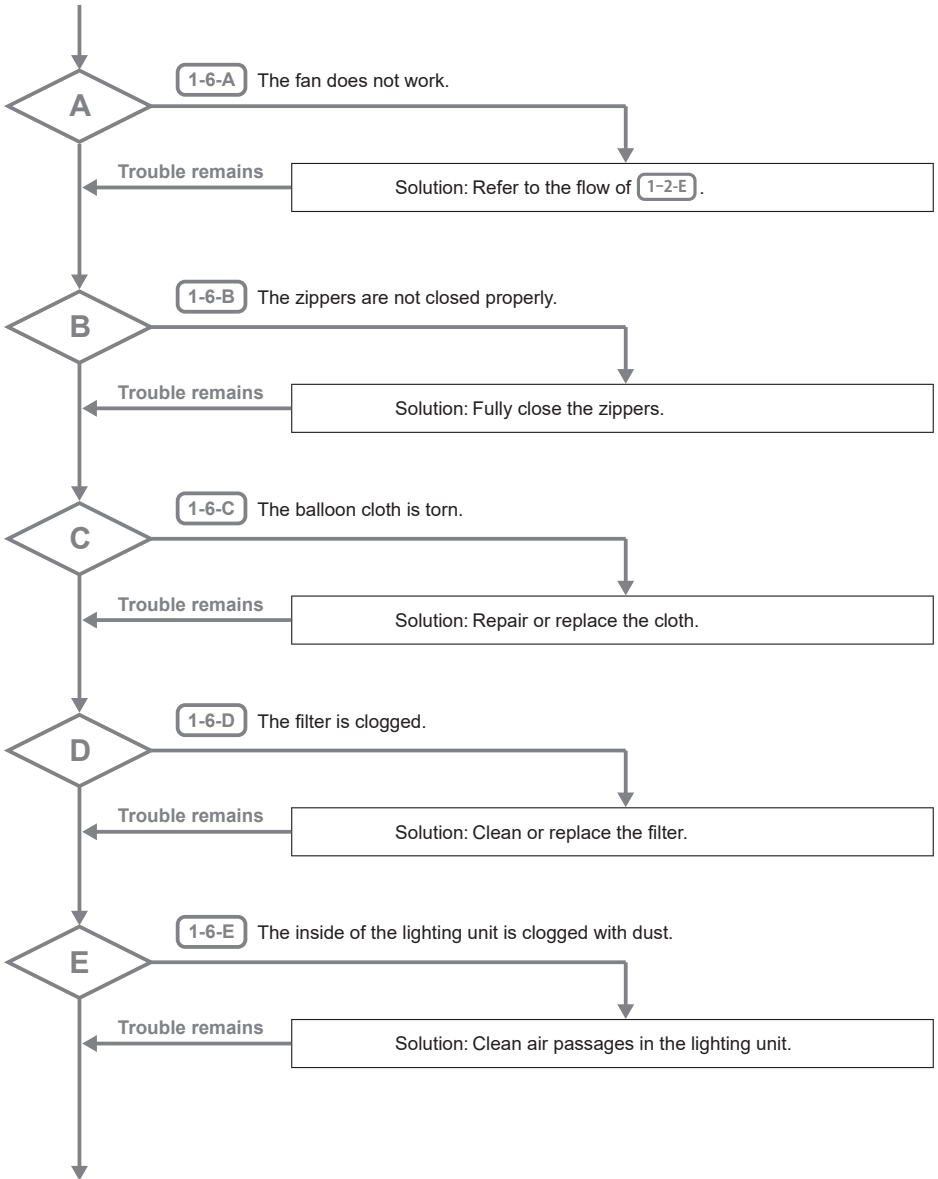


## 1-5. Some LEDs do not light up.



Contact your dealer or LIGHT BOY EUROPE.

## 1-6. The balloon is not fully inflated.

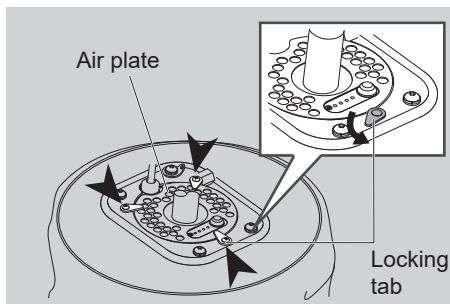


Contact your dealer or LIGHT BOY EUROPE.

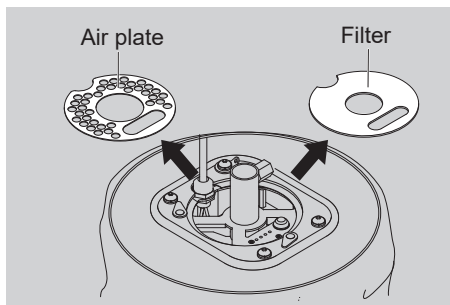
## ■ How to clean up the filter

### Removing the filter

1. Turn the balloon light assembly upside down to access the filter. Turn the three locking tabs outwards to release the air plate.



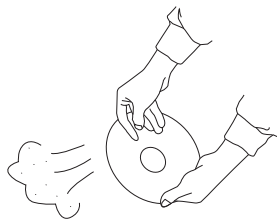
2. Remove air plate and filter.



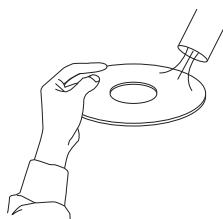
◎When installing, take opposite steps of removing the filter.

### Easy Cleaning

●Use hands



●Use vacume cleaner



### Washing

- Please use a mild detergent when washing.
- Please use a washing net when using a washing machine.
- Please dry it thoroughly before installing it.  
→If you installed without drying it thoroughly, the absorption would be insufficient.  
(It may freeze during winter.)

◎Please replace it when the tar adheres.

# Specifications

Model		B8CA-CE		
Lighting system	AC	Voltage (V)		230
		Frequency (Hz)		50 / 60
		Wattage (W)		860
		Power Factor		>= 0.96
	Lamp	Type		LED / Balloon
		Dimming (W)		800 / 600 / 400
		(W) x (Light Fixture)		800 x 1
		Total Luminous Flux (lm) *1		110000 / 90000 / 67000
	Mast	Type		Telescopic system 3 stages
		Operating		Hand Operation
	Cart	Tire		300mm external diameter pneumatic tire
		Tire inflation pressure (kPa)		245-294 (35.5-42.6 PSI)
		Brake		Stepping brakes type
		Outrigger		Left / Right / Rearward deployment type
	Outside Temperature (°C)		-10 to 40	
	Dimension	Working(LxWxH)(mm)		1360 x 1300 x 1870-3200
		Storage (LxWxH) (mm)	Balloon	200 x 220 x 690
			Cart *2	1025 x 700 x 845
	Maximum Projected Area (m <sup>2</sup> )		1.07	
	Mass	Balloon (kg)		10.8
		Cable (kg)		1.4
		Mast (kg)		2.2
		Cart (kg)		37.5
Total Mass (kg)		51.9		
Required Generator Capacity (kVA)		0.9 or more		

\*1 Maximum value. LED chips differ from one case to the next on the production process, they have their own brightness and color temperature.

\*2 Mast included.

- All features and specifications are subject to change without notice.
- There are cases where the actual item and figure in the text different.
- May not light up due to a problem of matching the generator.

# Disposal

Your LIGHT BOY mobile lighting system mainly consists of metallic materials that can be re-melted in steelworks and smelting works and that is therefore almost infinite recyclable. LIGHT BOY mobile lighting system contains substances that may adversely affect the environment and human health. Proper disposal can prevent adverse effects on the environment and human health. When disposing a used product, please contact the dealer or the sales store nearby where you purchased the product. Alternatively, dispose all components according to the applicable disposal regulations.



Never throw the product in municipal waste. This symbol of the crossed out wheeled bin indicates that product (electrical and electronic equipment) should not be placed in municipal waste.



Signifies low-density polyethylene.



Signifies corrugated fiberboard.

# How to Get Help

When you have questions or the lighting systems breakdown, please take note the followings, and contact the dealer or the sales store nearby.

## Unit model and Serial number (on nameplate)

B8CA-CE - ○○○○○○

## Use environment

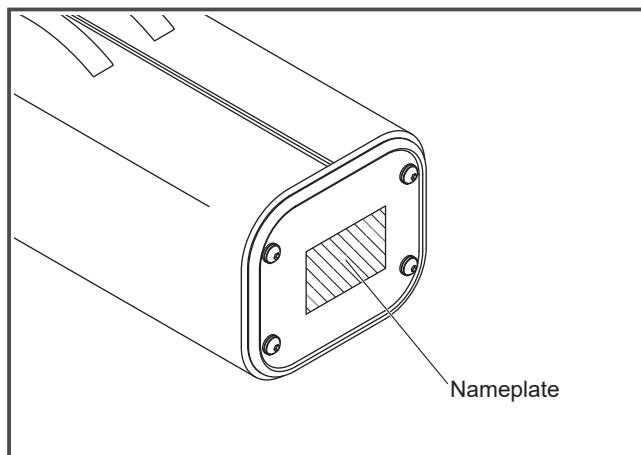
How did you use?

## How long did you use?

Approx hours of use. Please verify at hour meter on generator.

## Please describe in detail when breaking down.

The detailed situation.





# Explanation of safety confirmation

Models	Manufacturing number No.
--------	-----------------------------

From the following sales presenter, I was received for an explanation safe handling and operation of this product.

Description content and points to be checked	Check <input checked="" type="checkbox"/>	Description content and points to be checked	Check <input checked="" type="checkbox"/>
Receiving the manual	<input type="checkbox"/>	Ways to operate each part of the machine	<input type="checkbox"/>
Description of caution of safety	<input type="checkbox"/>	Ways of maintenance	<input type="checkbox"/>
Description of the content on alarm display and labels location	<input type="checkbox"/>	Treatment and cotact in case of trouble found	<input type="checkbox"/>
Ways of preparation for use	<input type="checkbox"/>	About warantry and guaranteed provision	<input type="checkbox"/>

Date of description	
Delivery date	

Customer	Address	
	Company name	 ( )
	name	
Dealer	Address	
	Store name	 ( )
	Name of delivery explainer	

Distributed by :

***LIGHT BOY EUROPE AB***

Södra Industrigatan 3  
SE-274 30 SKURUP, Sweden  
<https://www.light-boy.eu>

Manufacturer :

***LIGHT BOY CO.,LTD.***

1-39-1 Yazaki-cho, Fuchu-shi,  
Tokyo Japan  
<https://www.light-boy.com>

